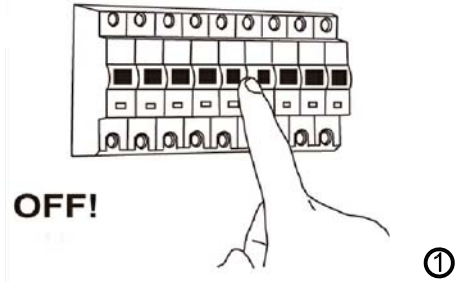
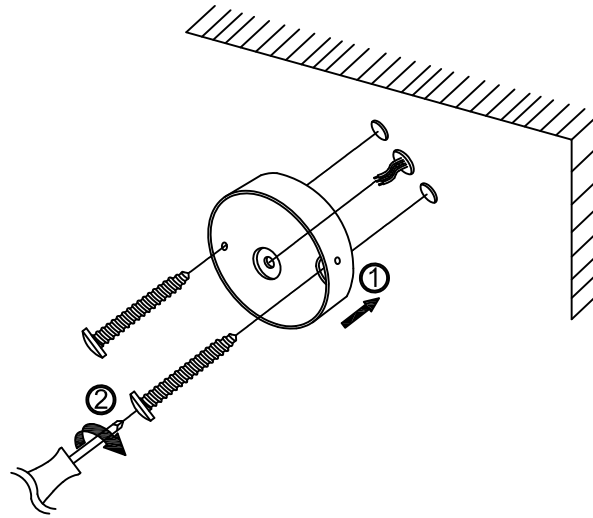


# 3309 3310 Installation Drawing

01



02



03

